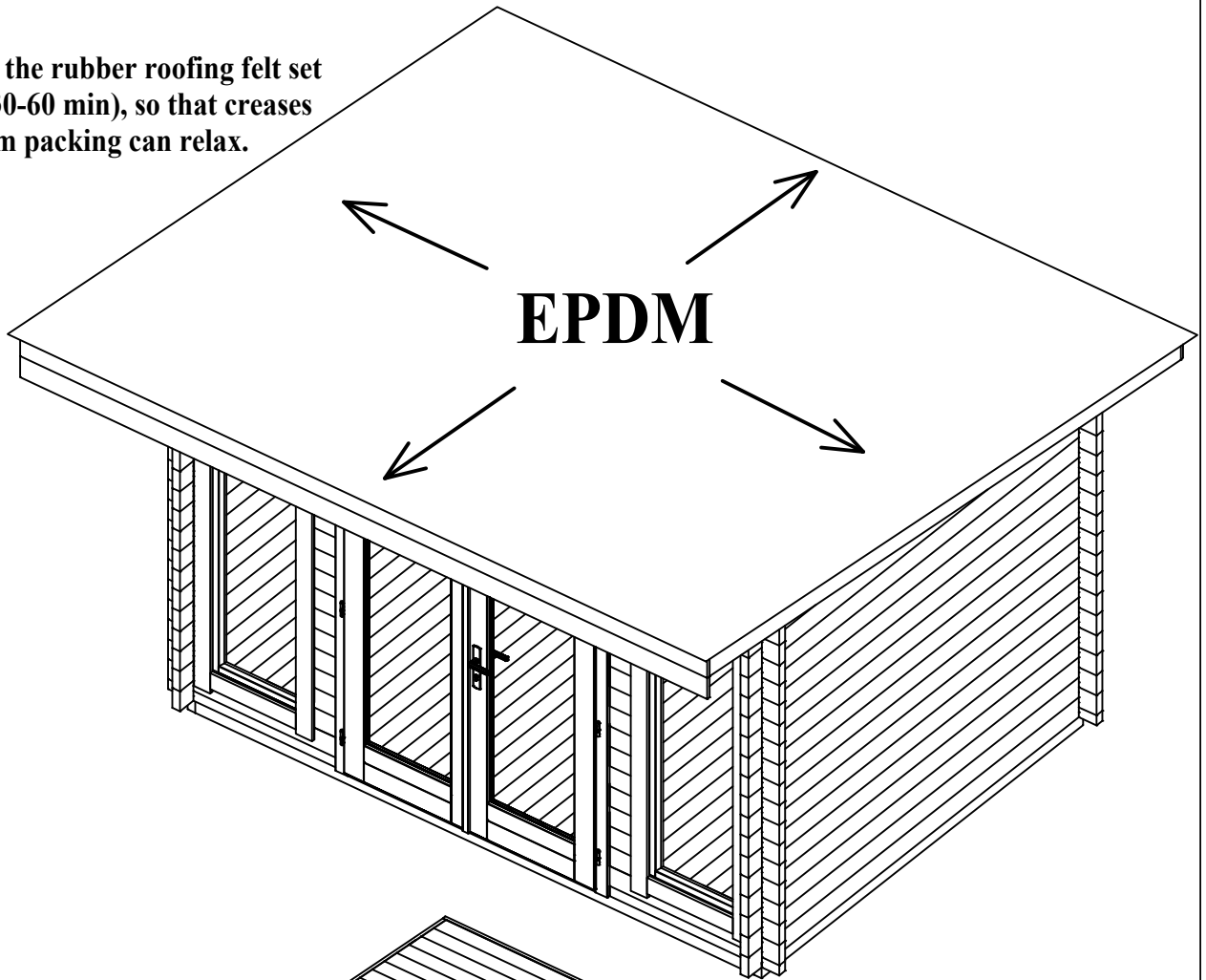
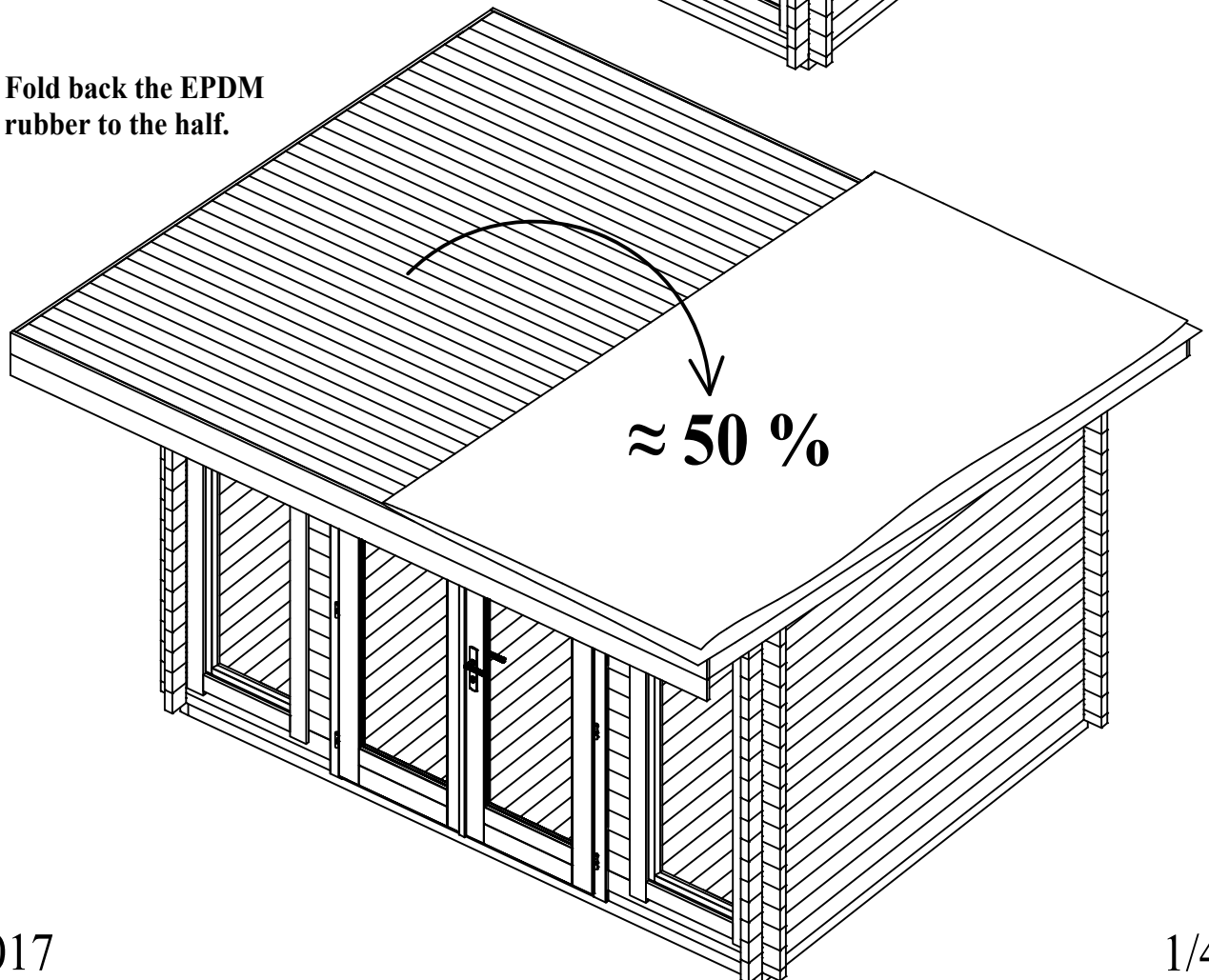


Lasita Maja EPDM installation instructions

- 1** Let the rubber roofing felt set ($\approx 30-60$ min), so that creases from packing can relax.



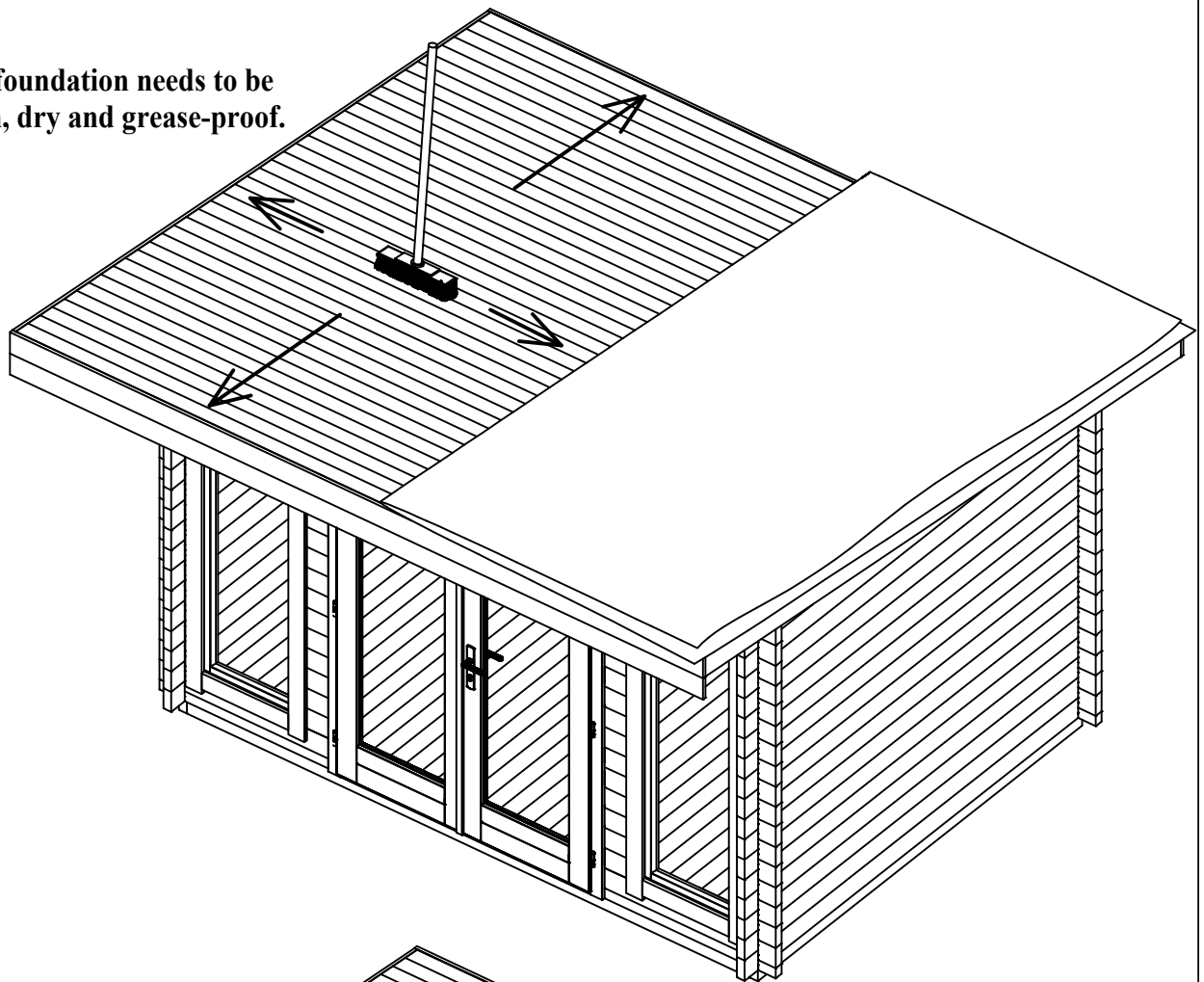
- 2** Fold back the EPDM rubber to the half.



Lasita Maja EPDM installation instructions

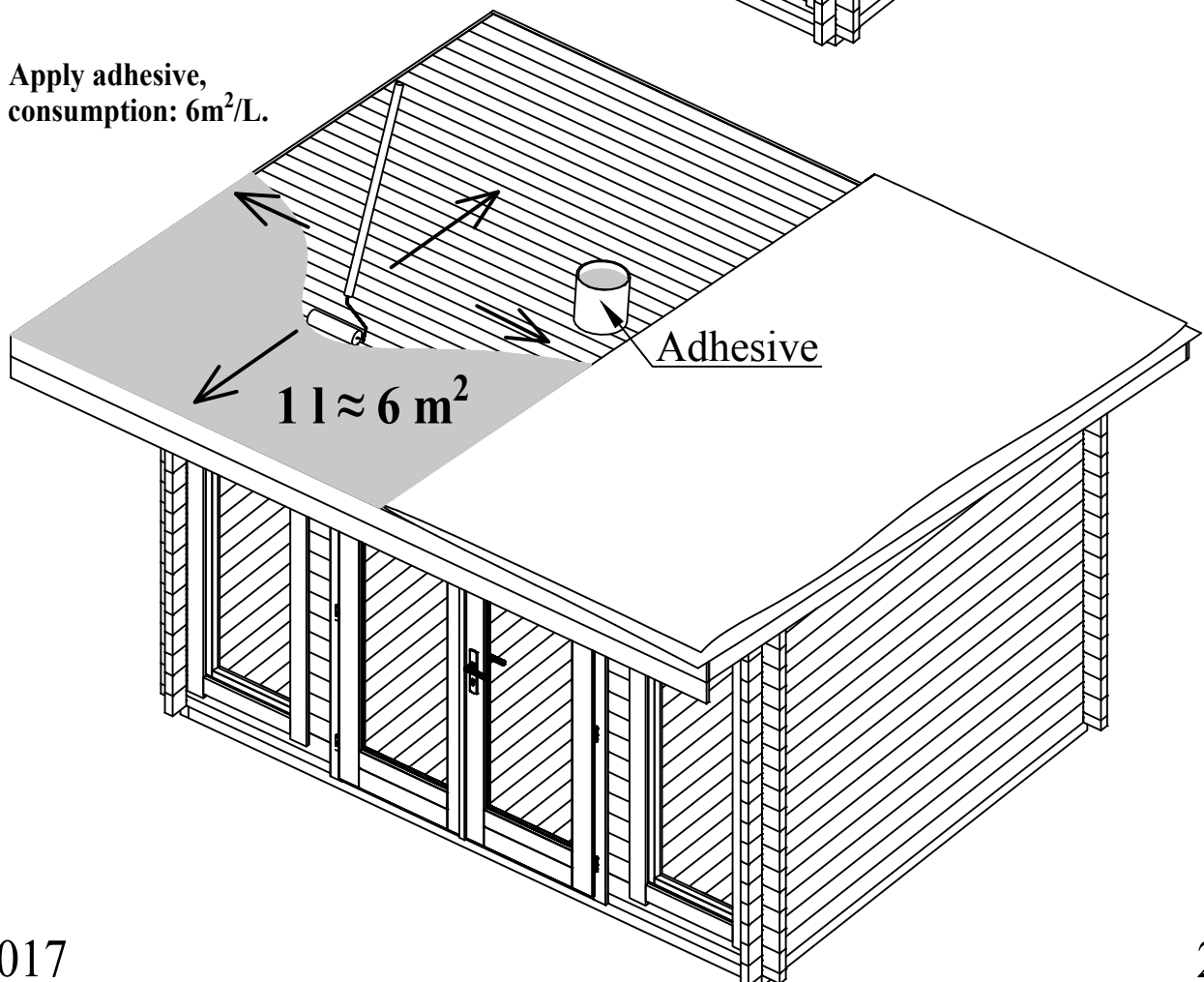
3

The foundation needs to be clean, dry and grease-proof.



4

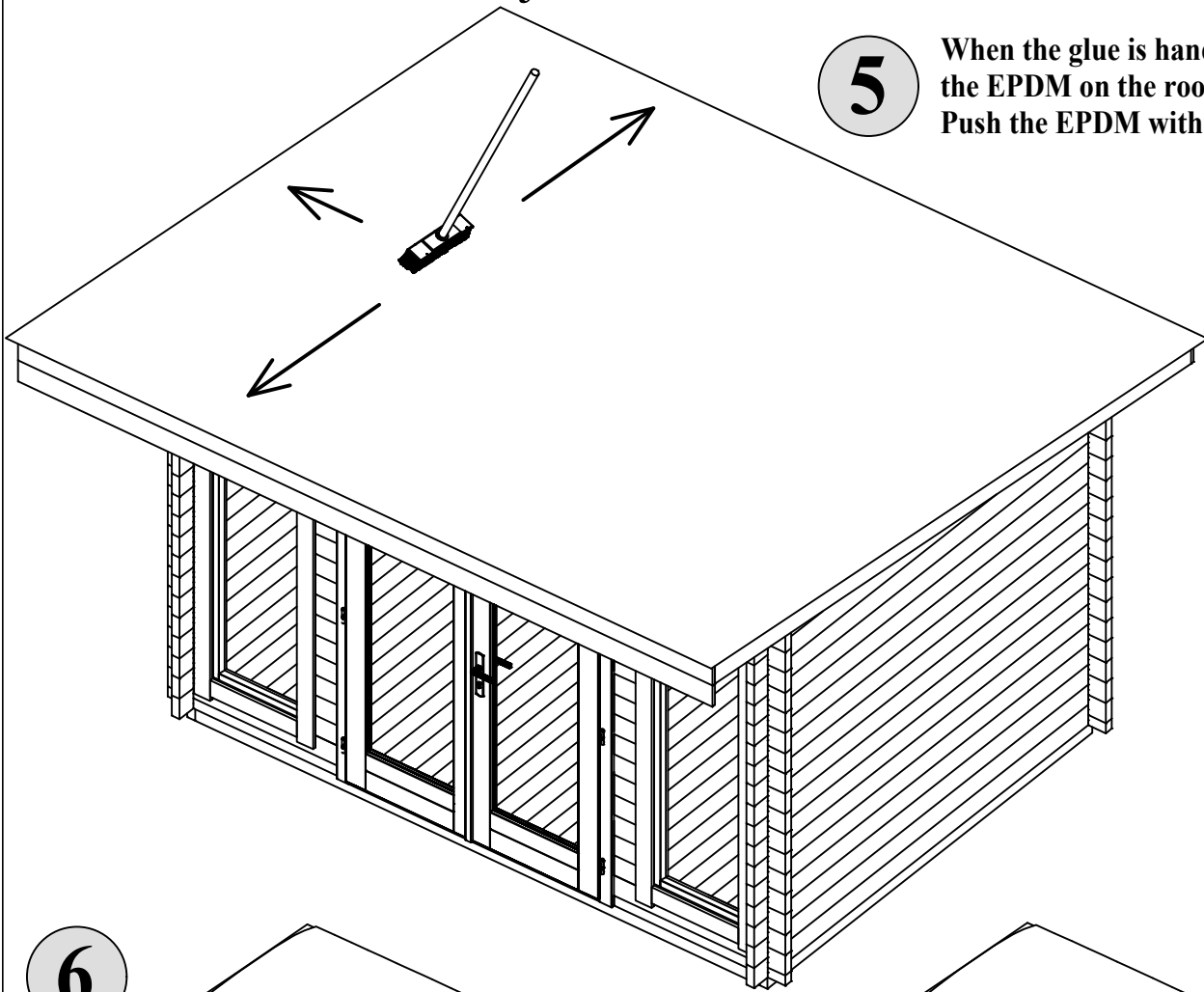
Apply adhesive, consumption: $6\text{m}^2/\text{L}$.



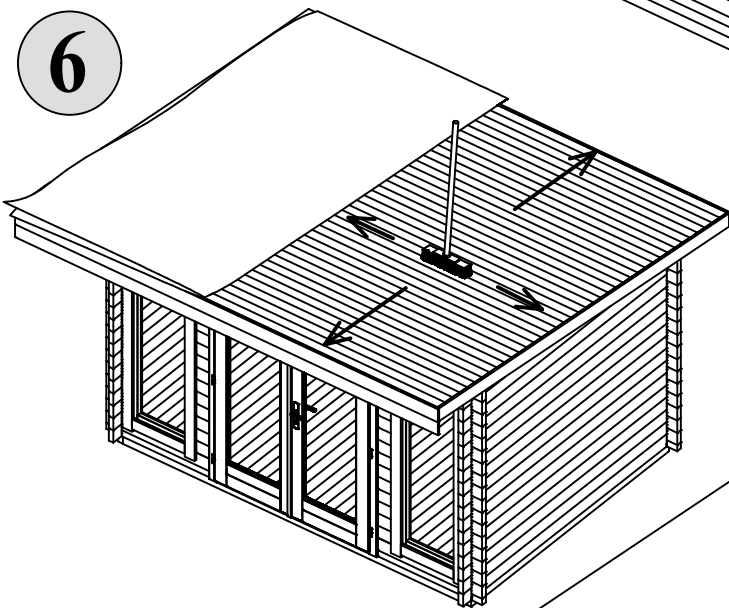
Lasita Maja EPDM installation instructions

5

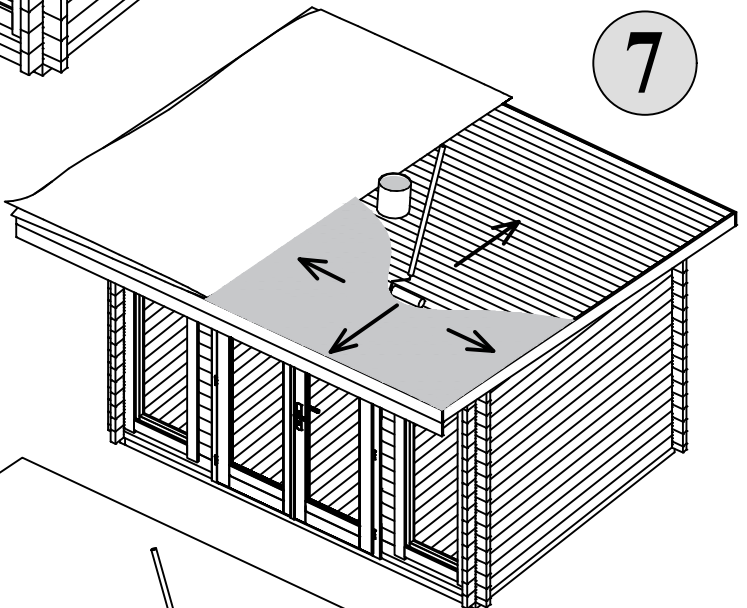
When the glue is hand-dry, you can put the EPDM on the roof without tension. Push the EPDM with a soft brush.



6

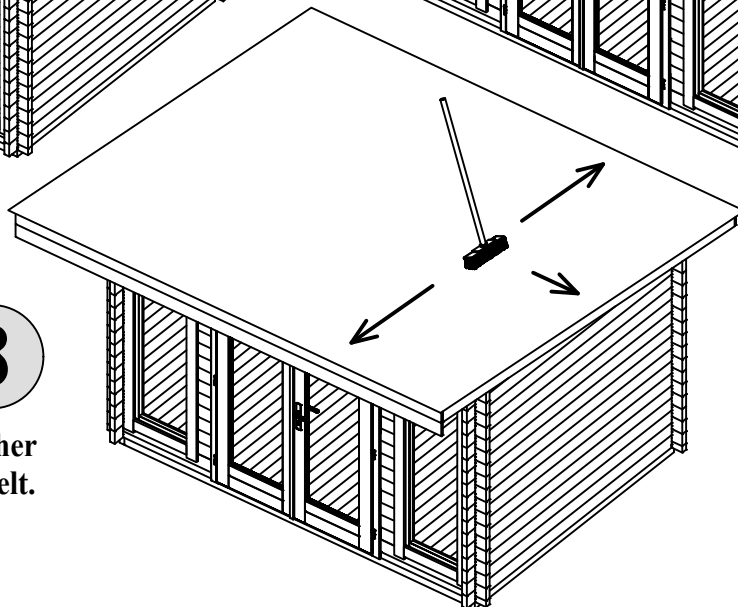


7



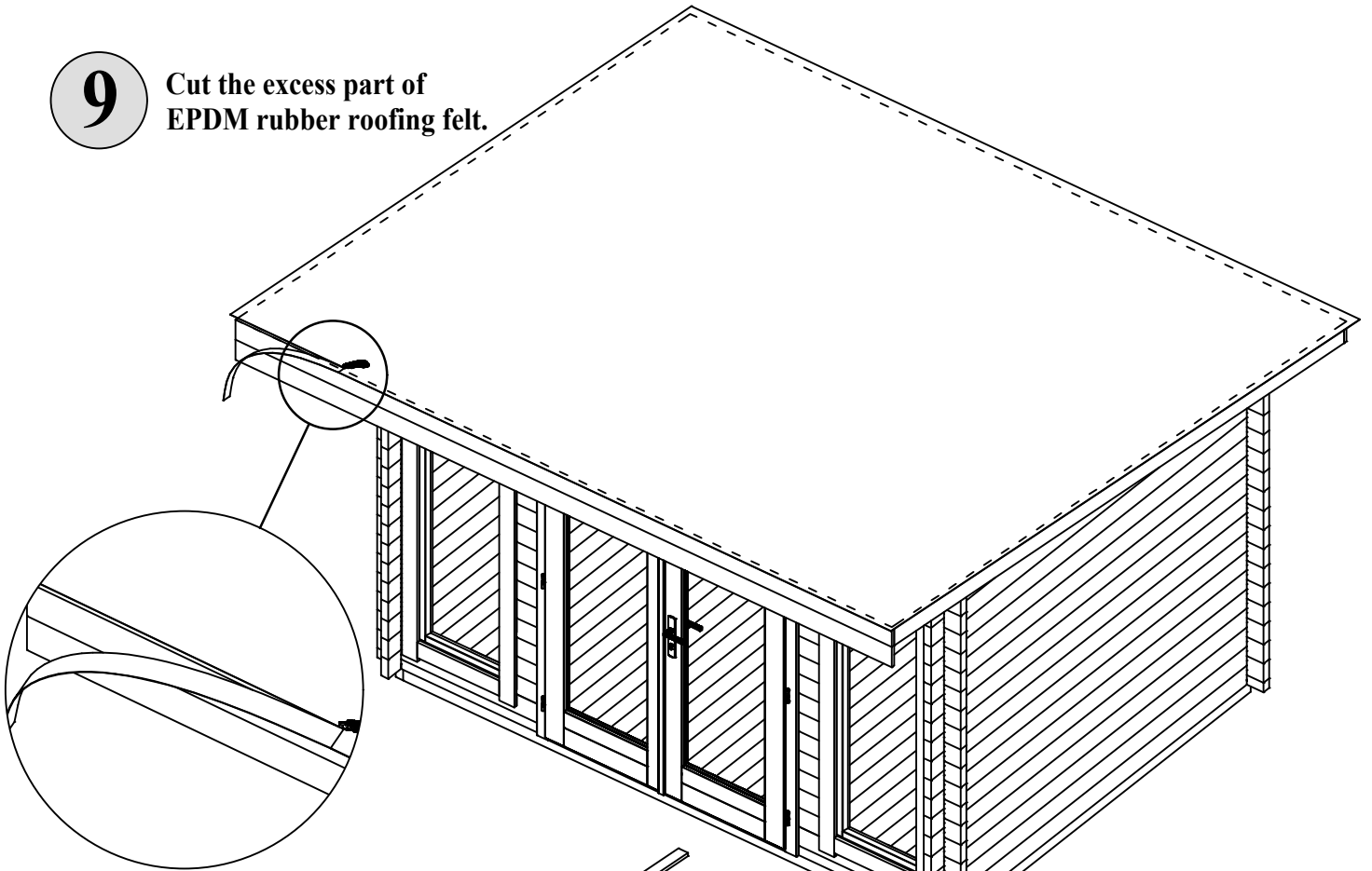
8

Repeat previous steps to the other half of EPDM rubber roofing felt.



Lasita Maja EPDM installation instructions

- 9** Cut the excess part of EPDM rubber roofing felt.



- 10** Install roofing felt fillets.

