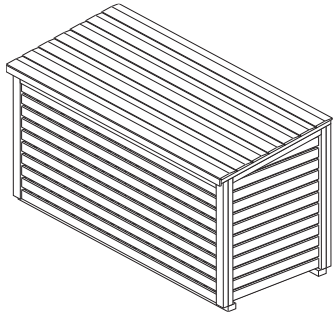


Wooden Patio Storette

English SS340B

Help Line (Normal Office Hours) 01829 261 121

Assembly Instructions



Biocidal Products Regulation EU 528/2012
Wolmanit® CX treated wood is a treated article that incorporates biocidal products: copper hydroxide carbonate/II and boric acid. They protect wood against fungal decay /rot/ and insect attack.
Keep away from food, drink and animal feeding stuffs. Avoid breathing dust when cutting treated wood.

Before assembly

- We recommend that time is taken to read the instructions before starting assembly, then follow the easy step by step guide. The instruction sheet is only a guide to the assembly. Certain items may not be shown to scale.
- Check all components prior to assembly
- This product should be assembled by no less than two people.
- Never attempt to erect the assembly in high winds.
- It may be necessary to drill pilot holes for each screw.

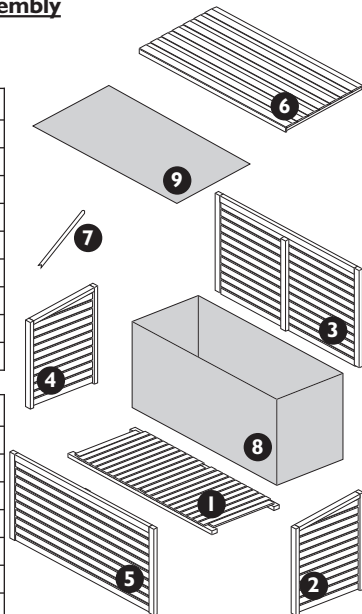


Recommended tools for assembly

- Powered screw driver

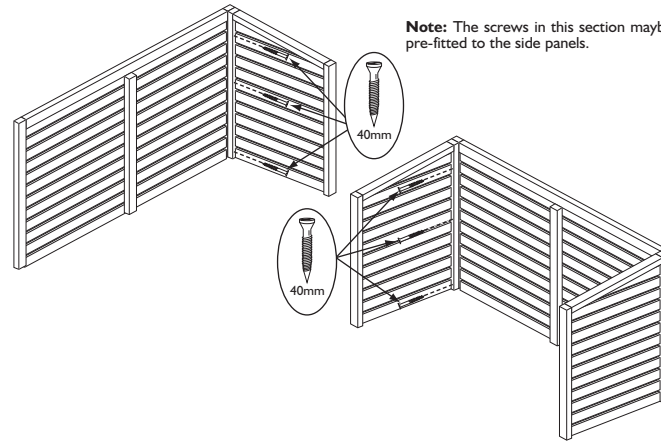
No.	Components	Qty.
1	Floor	1
2	Right side panel	1
3	Back panel	1
4	Left side panel	1
5	Front panel	1
6	Lid	1
7	Lid stay	1
8	Base liner material	1
9	Lid liner material	1

No.	Fixing kit	Qty.
8	Hinges	3
9	Chain	2
10	60mm screws	6
11	40mm screws	13
12	20mm screws	18
13	12mm screws	4
14	Pins	50



1. Back and side panels

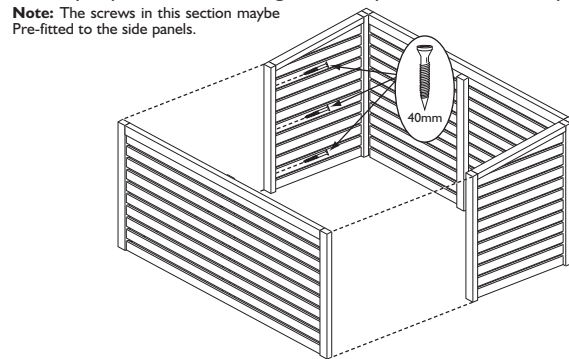
Align the side panels to the back panel as shown and secure using 3 x 40mm screws per panel. Screw through the side panels into the back panel.



Note: The screws in this section maybe pre-fitted to the side panels.

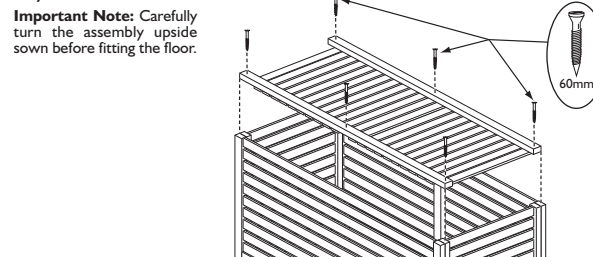
2. Front panel

Align the front panel to the side panels as shown and secure using 3 x 40mm screws per panel. Screw through the side panels into the front panel.



3. Floor

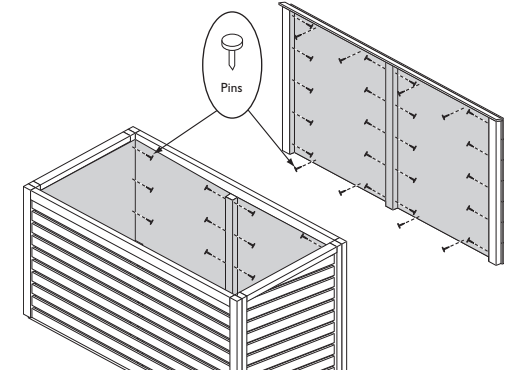
Turn the assembly upside down. Place the floor onto the bottom of the wall panels and secure in place using 6 x 60mm screws. Turn assembly up the right way once the floor is attached



Important Note: Carefully turn the assembly upside down before fitting the floor.

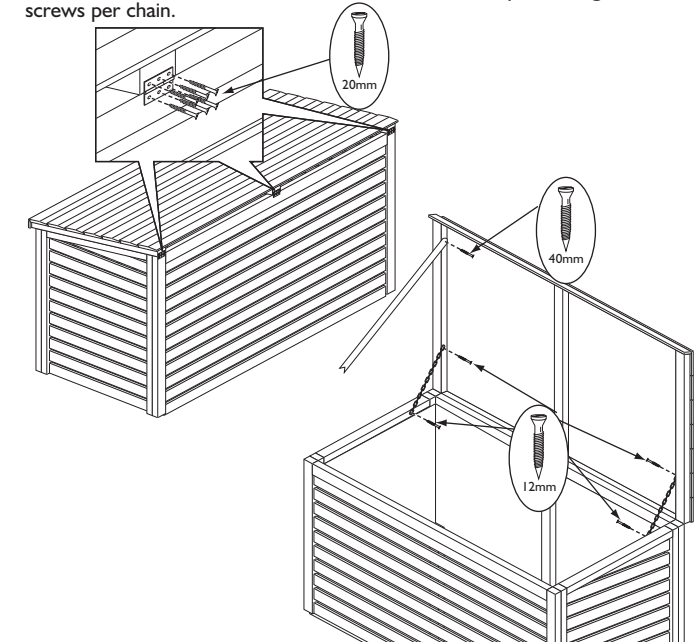
5. Liner

Position the base liner inside the storette and secure in place using the pins. position the lid liner on the inside of the lid and secure in place with the pins



4. Lid

Turn the assembly up the right way and place the lid on top. Secure at the back using three hinges and 6 x 20mm screws per hinge. Open the lid and fix the lid stay using 1 x 40mm screw to the inside of the lid frame as show. On each side attach a chain to the inside frame of the lid and side panel using 2 x 12mm screws per chain.



We constantly improve the quality of our products, occasionally the components may differ from the components shown and are only correct at time of printing. We reserve the right to change the specification of our products without prior notice.

2014 © Rowlinson Garden Products Ltd