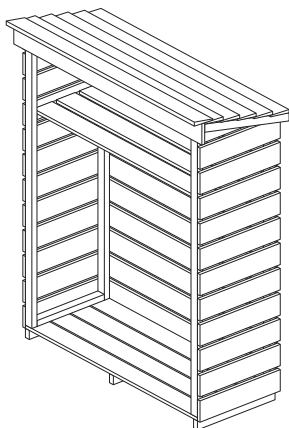


Small Log Store

English SS242B

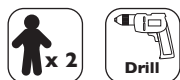
Help Line (Normal Office Hours) 01829 261 121

Assembly Instructions



Before assembly

- We recommend that time is taken to read the instructions before starting assembly, then follow the easy step by step guide. The instruction sheet is only a guide to the assembly. Certain items may not be shown to scale.
- Check all components prior to assembly
- Drill all components where indicated.
- This product should be assembled by no less than two people.
- Never attempt to erect the assembly in high winds.

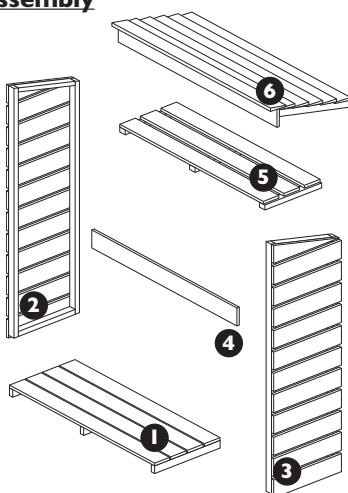


Recommended tools for assembly

- Cross head screw driver
- Drill with 2mm diameter drill bit
- Hammer

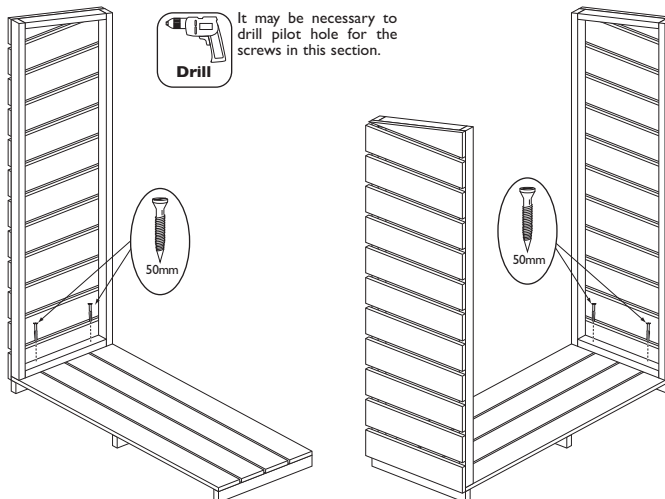
No.	Components	Qty.
1	Floor	1
2	Left side panel	1
3	Right side panel	1
4	Back slats	11
5	Shelf	1
6	Roof	1

No.	Fixing kit	Qty.
7	63mm screws	4
8	50mm screws	8
9	35mm nails	47



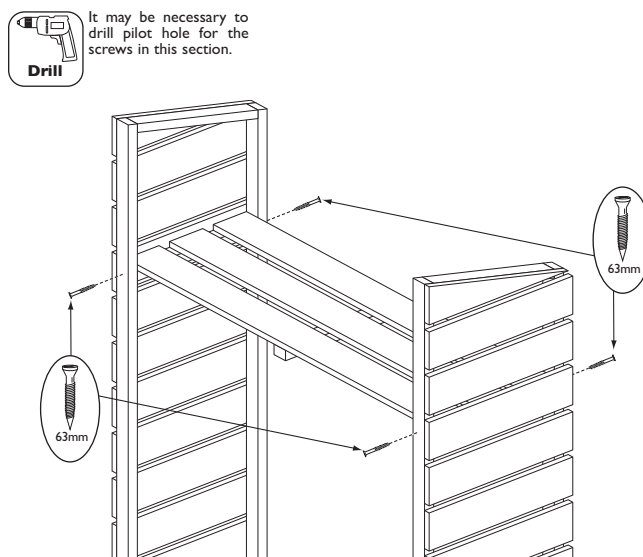
1. Wall panels

Position the left side panel on the floor so that the frame sit on the floor and the cladding overhang the floor edge. Secure through the bottom frame of the side panel into the floor using 2 x 50mm screws. Position and attached the right side panel in the same way.



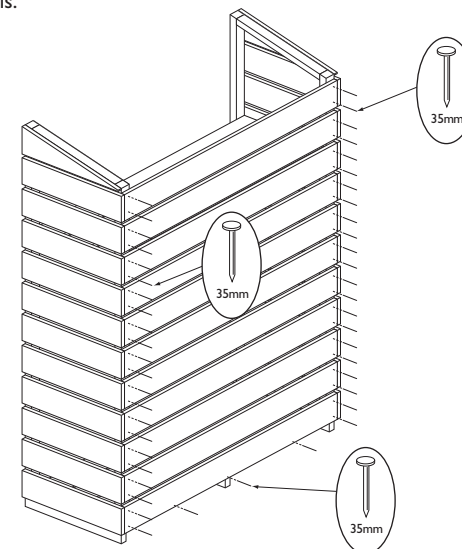
2. Shelf

Position the shelf at the desired height between the two side panels. Secure in place using 4 x 63mm screws. Screw through the frame of the side panel in to the ends of the shelf frames as show below.



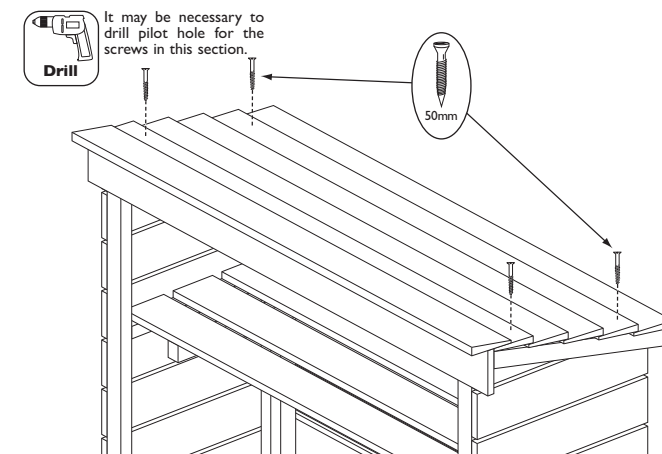
4. Back Wall

Secure the eleven back slats to the back of the log store. Align each slat with the slats on the side panels and secure in place using 2 x 35mm nails at each end of the slat. Nail the bottom back slat to the floor using an additional 3 x 35mm nails.

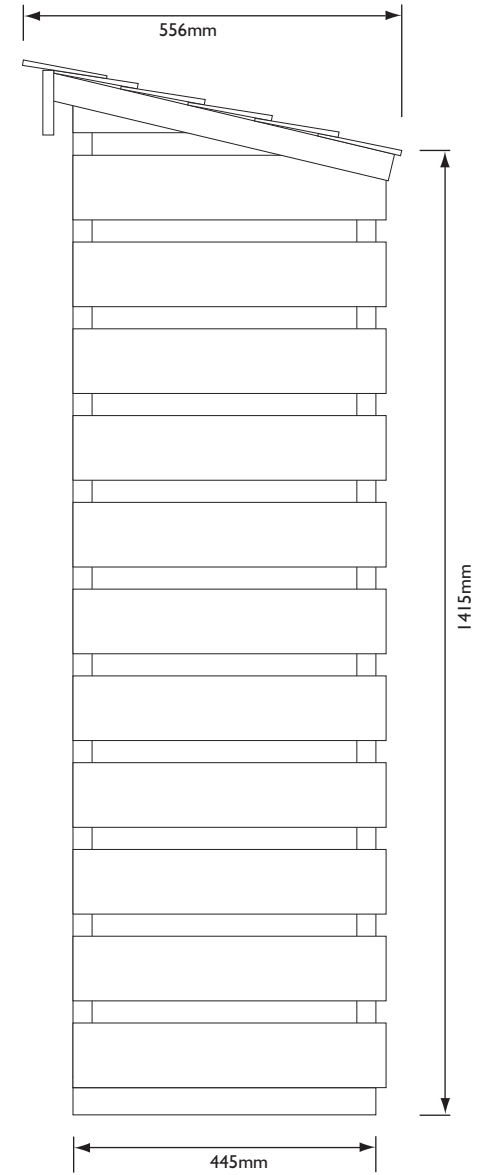
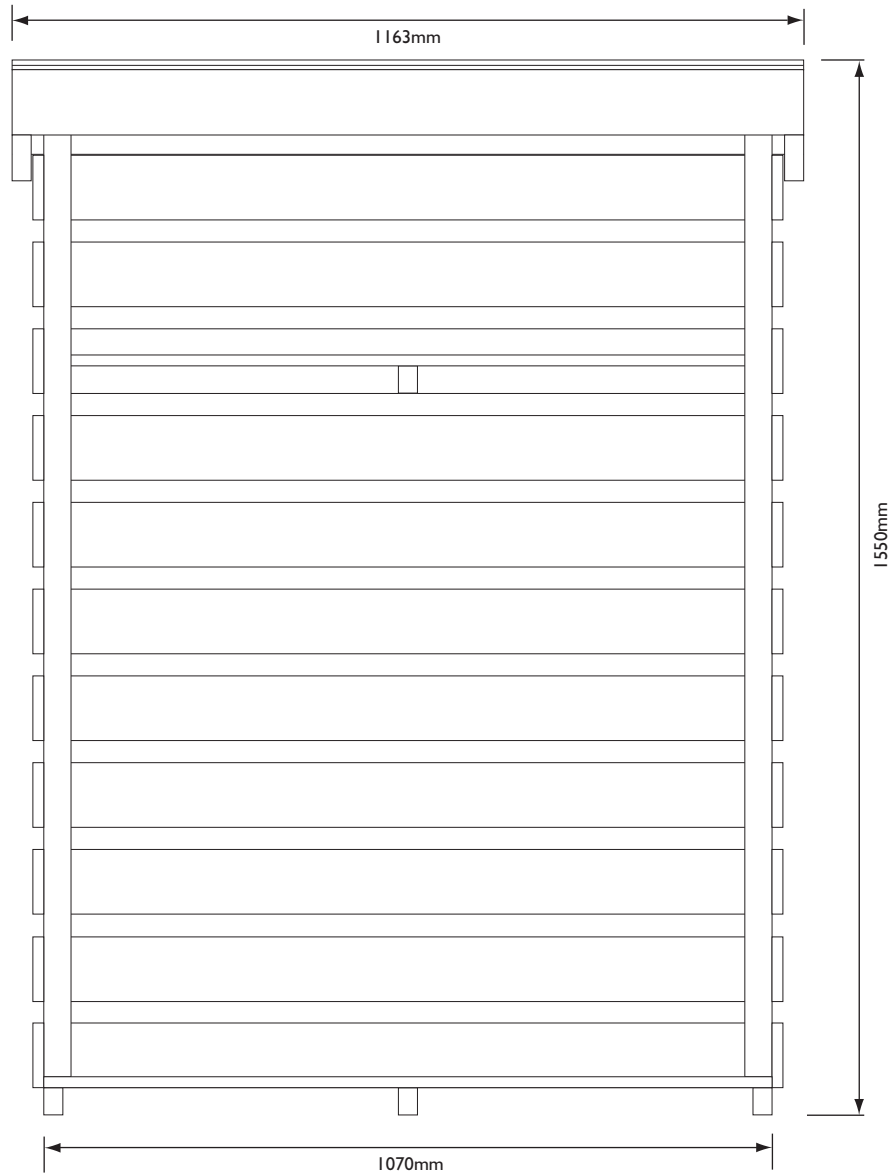


5. Roof

Place the roof over the top of the back and sides. Secure down using 4 x 50mm screws. Screw through the top of the roof into the tops of the side panel frame.



We constantly improve the quality of our products, occasionally the components may differ from the components shown and are only correct at time of printing. We reserve the right to change the specification of our products without prior notice.



Small Log store

DRAWING REF: LOGSMLI PD 1

PRODUCT DIMENSIONS

DRAWING DATE: 24.04.12



ROWLINSON
GARDEN PRODUCTS

2012 © Rowlinson Garden Products Ltd