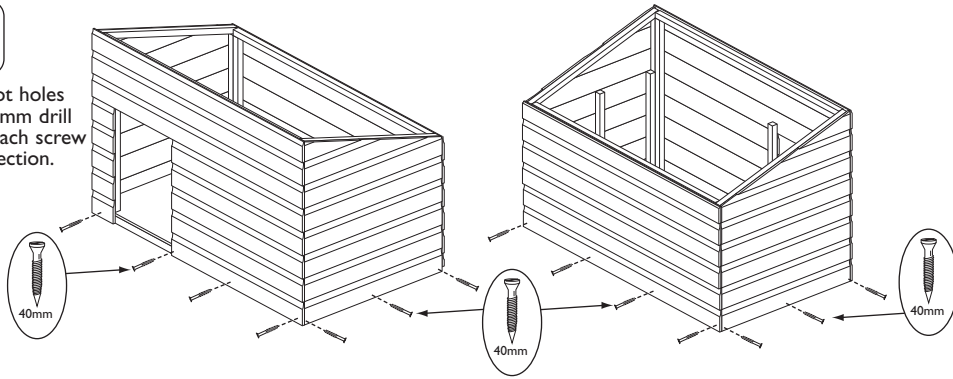


6. Secure walls to floor

Secure the front and back panels to the floor using 4 x 40mm screws for each. screw through the shiplap of the panels into the floor bearer. Secure each end panel using 3 x 40mm screws. screw through the shiplap into the ends of each floor bearer.

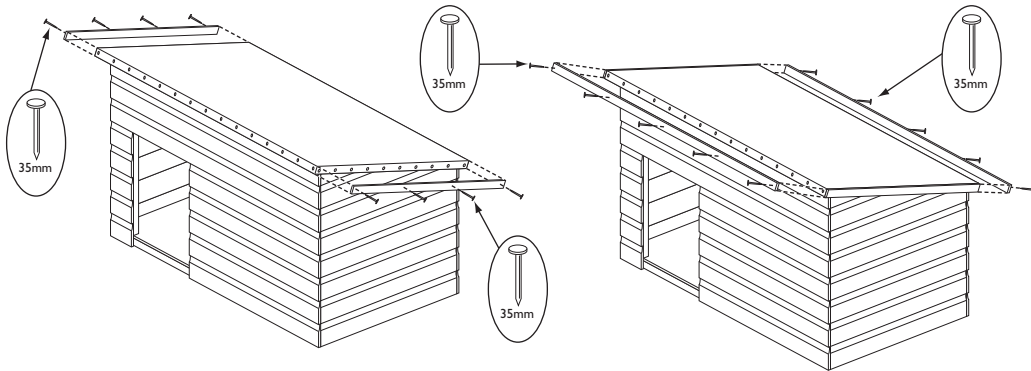


Drill pilot holes with a 3mm drill bit for each screw in this section.



7. Bargeboard

Attach the side bargeboards to each side of the lid using 4 x 35mm nails for each board. Then fit the front and rear bargeboards using 5 x 35mm nails for each board.



Important information

Shiplap buildings come ready stained but this is only a preparatory treatment. To **VALIDATE** the guarantee, the building must be properly treated with a recognised external wood preserver **WITHIN 3 MONTHS** of assembly and **RE-TREATED ANNUALLY** thereafter.

Adequate provision must be made to ensure ground contact is avoided and air is able to circulate underneath the building. Placing the building on a concrete pad or slab base is acceptable provided that the building is not allowed to sit in pooled water during wet conditions. If the building is to sit on soil or grass it **MUST** be erected on pressure treated wooden 50mm x 50mm or similar bearers (**These are not supplied in the kit**). Rowlinson Garden Products recommend using pressure treated bearers with all buildings on any type of base.

Timber Information.

As timber is a natural material, there are certain weather conditions that may affect the materials properties. In times of excessive dry spells the material may lose some of its internal moisture causing a certain degree of shrinkage on a panel and in periods of excessive rain there will be a certain amount of swelling throughout the wooden panels. This process can not be avoided. If you have problems with certain boards shrinking in dry spells try to decrease the amount of direct sunlight on the building or the amount of air passing over the building. During hot spells spray water directly onto the panels with the aid of a garden hose.

If in doubt of any aspect regarding the assembly, use or safety of your kennel please contact us :

Help Line (Normal Office Hours) 01829 261 121

ROWLINSON GARDEN PRODUCTS LIMITED
Green Lane
Wardle Nr. Nantwich
Cheshire
CW5 6BN

We constantly improve the quality of our products, occasionally the components may differ from the components shown and are only correct at time of printing. We reserve the right to change the specification of our products without prior notice.

2012 © Rowlinson Garden Products Ltd

ROWLINSON®
GARDEN PRODUCTS

Large Dog Kennel

Assembly Instructions

Before assembly

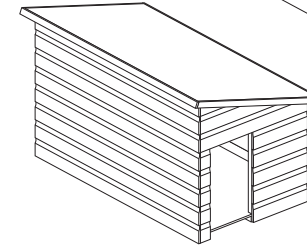
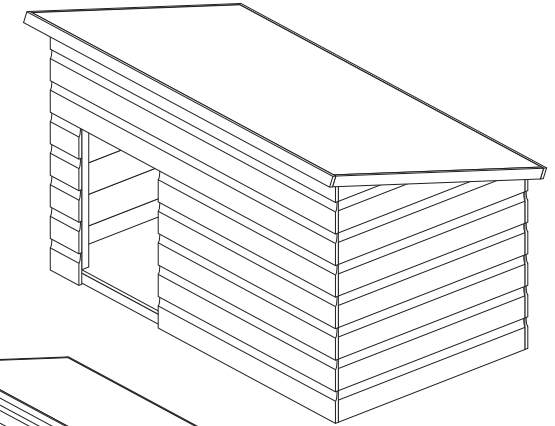
- We recommend that time is taken to read the instructions before starting assembly, then follow the easy step by step guide. The instruction sheet is only a guide to the assembly. Certain items may not be shown to scale.
- Check all components prior to assembly
- This product should be assembled by no less than two people
- Drill all components where indicated



Recommended tools for assembly

- Cross head screw driver
- Hammer
- Saw
- Sharp knife
- Drill and 3mm drill bit

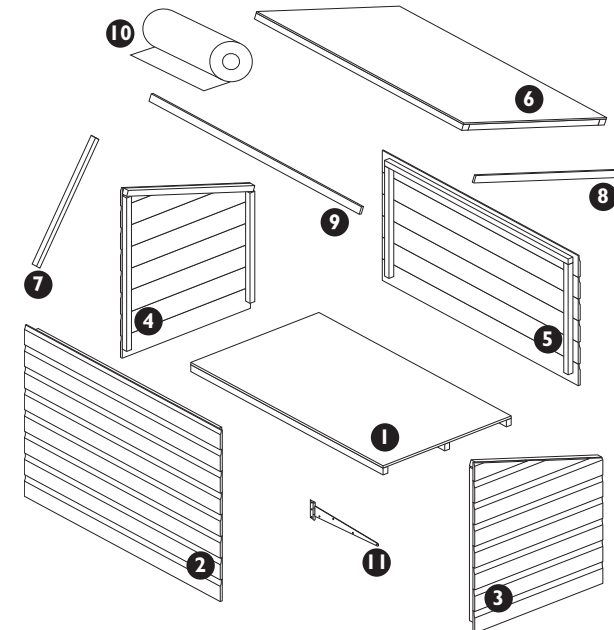
English SS293



Important Note:
This kennel does not come with a pre cut door way. The assembler must cut the door way into either the front panel or right-hand side panel before assembly.

No.	Components	Qty.
1	Floor	1
2	Front panel	1
3	Right-hand side panel	1
4	Left-hand side panel	1
5	Back panel	1
6	Lid	1
7	Lid stay	1
8	Roof felt	1
9	Side bargeboard	2
10	Front/back bargeboard	2

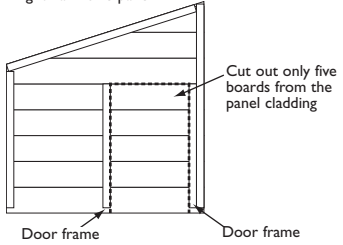
No.	Fixing Kit	Qty.
11	T-hinges	2
12	50mm screws	9
13	40mm screws	14
14	25mm screws	14
15	35mm nails	18
16	10mm felt nails	50



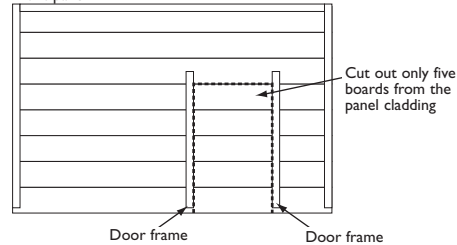
1. Cut door way

Decide if the door way to the kennel is to be in the front panel or the right-hand side panel. From the bottom of the chosen panel cut along the inside of the door framing. Cut down through only five of the cladding boards.

Right-hand side panel

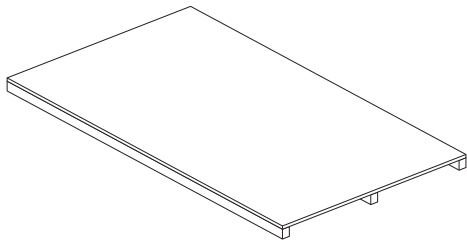


Front panel



2. Floor section

Place the floor on to a level surface.



Important note

To "VALIDATE" the guarantee, adequate provision must be made to ensure ground contact is avoided and air is able to circulate underneath the building.

Placing the building on a concrete pad or slab base is acceptable provided that the building is not allowed to sit in pooled water during wet conditions.

If the building is to sit on soil or grass it **MUST** be erected on pressure treated wooden 50mm x 50mm or similar bearers (These are not supplied in the kit).

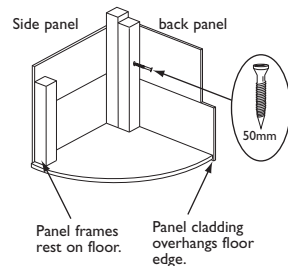
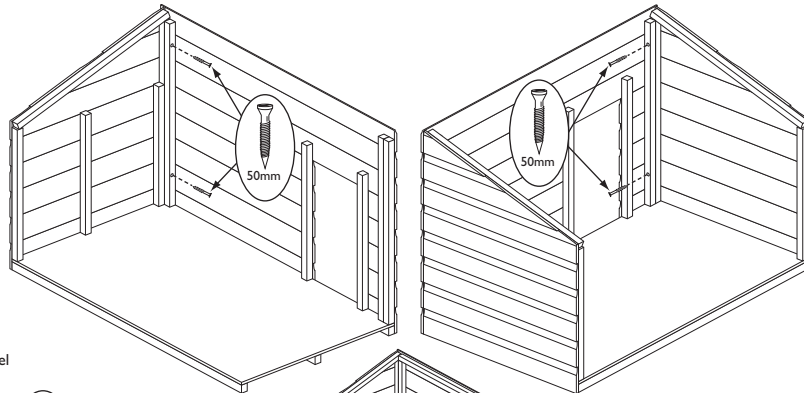
Rowlinson Garden Products recommend using pressure treated bearers with all buildings on any type of base.

3. Sides and front panels

Position the right-hand panel and the front panel as shown. Note how the panel frames sit on the floor with the panel cladding overhanging the floor edge. Ensure square and secure using 2 x 50mm screws through the frame of the back panel into the frame of the left panel. In the same way attach the left-hand panel and back panel.

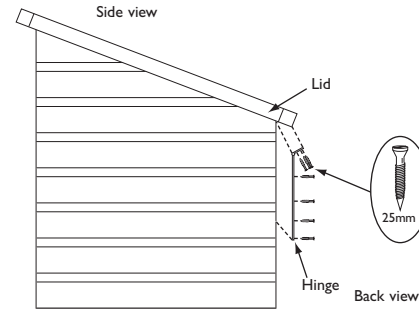


Drill pilot holes with a 3mm drill bit for each screw in this section.

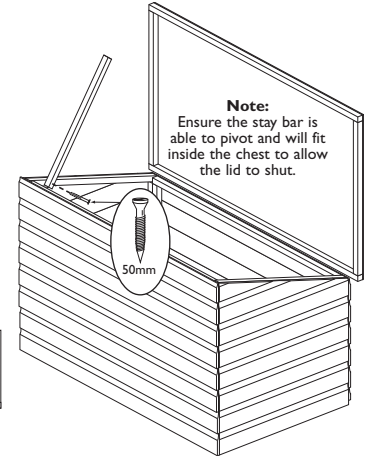
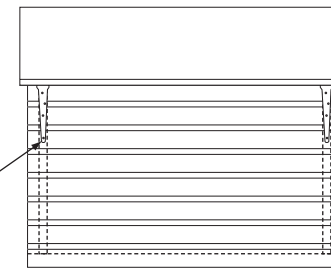


4. Lid

Place the lid into position. Locate the hinges and mark the position of the screw holes on the lid ensuring they are in line with back panel framing. Remove the lid and secure the two hinges in the marked position using 3 x 25mm screws per hinge. Replace the lid and secure the hinges to the back panels using 4 x 25mm per hinge. Secure the stay bar to the frame of the left side panel using 1 x 50mm screw. Make sure that the bar is able to pivot and will fit inside the chest to allow the lid to shut.



Back view



5. Roofing felt

Lay the felt over the lid ensuring that there is an equal overhang all round. Fold the felt over the front of the lid and secure to the lid framing using 15 x 10mm felt nails evenly spaced. Tension the felt over the back edge of the lid, fold down and secure using 15 x 10mm felt nails evenly spaced to the frame of the lid. Neatly fold the felt down on each side of the lid and secure using 10 x 10mm felt nails evenly spaced per side. Once the felt is fully secured trim off any excess felt with a sharp knife.

