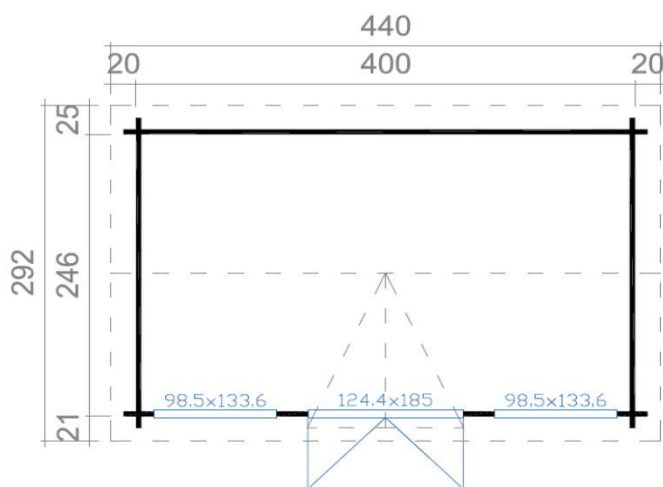


★ ★ ★  
GUARANTEE

5  
YEARS

UNDER  
2,5  
metres



**DIMENSIONS**

Floor Area	9,44 m <sup>2</sup>
Roof dimensions	4,40 x 2,92 m
Cubic volume	≈ 20,71 m <sup>3</sup>
Wall height	≈ 2,00 m
Ridge height	≈ 2,40 m
Front overhang	≈ 21 cm

**WINDOWS & DOORS (DGP\*)**

1 double door	124,4 x 185,0 cm
2 double windows	98,5 x 133,6 cm

windows open outward

\*DGP - Double Glazed Premium

**ROOF & FLOOR**

Roof/Floor boards	18 mm
Roof surface	14,24 m <sup>2</sup>
Roof angle	≈ 13,0°/24,4°
Treated Bearers	70 x 45 mm

\* Optional Roof Covering available

**PACKAGING: 1 PALLET**



440 x 118 x 65 cm  
927 kg

