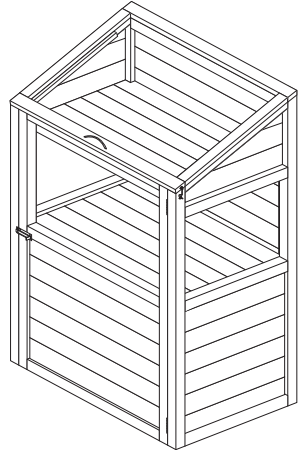


# Mini green house

# English SS295

Help Line (Normal Office Hours) 01829 261 121

## Assembly Instructions



### Before assembly

- We recommend that time is taken to read the instructions before starting assembly, then follow the easy step by step guide. The instruction sheet is only a guide to the assembly. Certain items may not be shown to scale.
- Check all components prior to assembly
- This product should be assembled by no less than two people.
- Never attempt to erect the assembly in high winds.

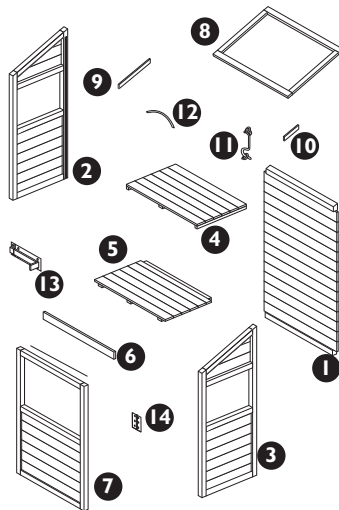


### Recommended tools for assembly

- Cross head screw driver
- Mallet

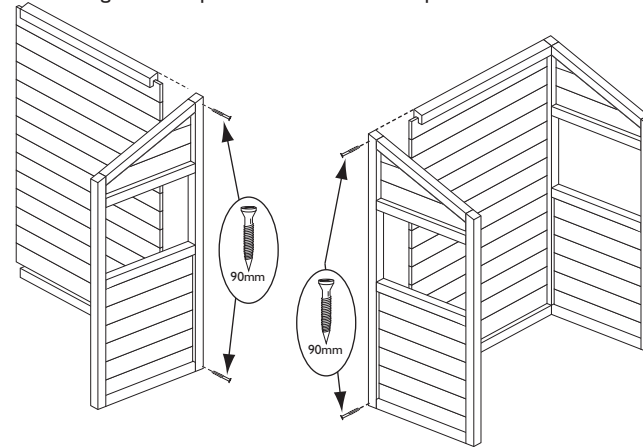
No.	Components	Qty.
1	Back panel	1
2	Left panel	1
3	Right panel	1
4	Middle shelf	1
5	Top/Bottom shelf	2
6	Top shelf front	1
7	Door	1
8	Lid	1
9	Long Lid stay	1
10	Short Lid stay	1

No.	Fixing Kit	Qty.
11	Hook and eye	1
12	Handle	1
13	Lock	1
14	Hinges	2
15	90mm screws	4
16	60mm screws	6
17	40mm screws	21
18	30mm screws	18
19	25mm screws	2
20	25mm bolts	2



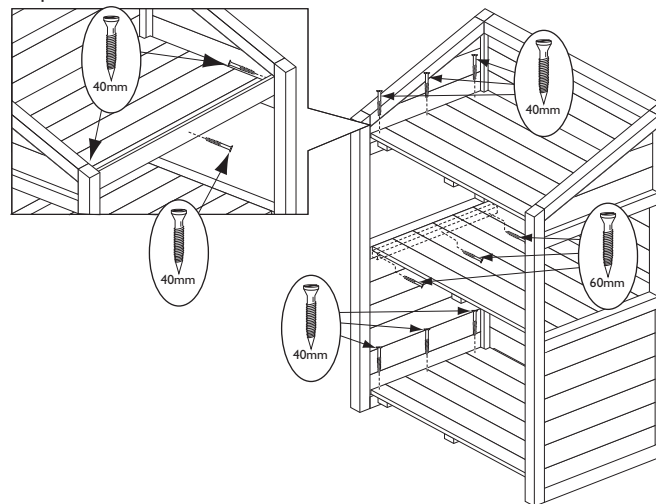
### 1. Back panel and side panels

Fit the back panel in to the rebates of the two side panels. Use a mallet to tap the back panel fully into the rebates. Secure each side using 2 x 90mm screws. Screw through the side panel frame into the back panel.



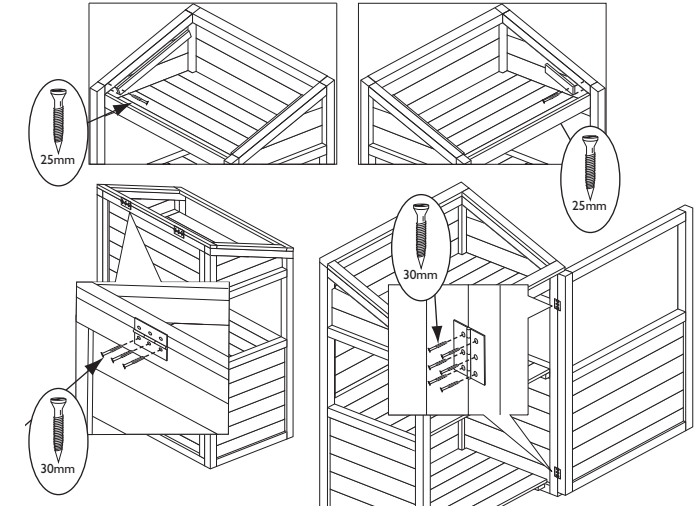
### 2. Shelves

Insert the bottom shelf and rest on the framing at the bottom of the side panels. Secure in place using 3 x 40mm screws each side. Screw down through the shelf into the framing of the side panel. Position the top shelf and shelf front on the side panel frame above the windows. Secure the shelf using 3 x 40mm screws each side. Fix the shelf front in place using 3 x 40mm screws. Screw through the back of the shelf front at each end in to the frame of the side panels and screw through the front centrally into the edge of the shelf. Position the middle shelf so that it is level with the bottom of the side panel window. Secure in place using 3 x 60mm screws. Screw through the frame of the shelf into the side panel.



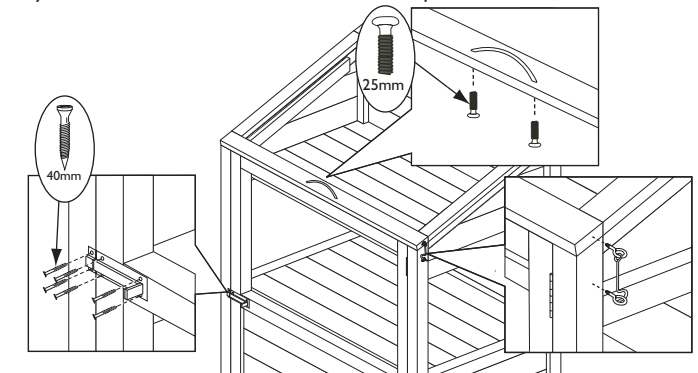
### 3. Door and lid

Attach a lid stay to the inside of each side panel top frame using 1 x 25mm screw for each lid stay. Make sure the lid stays can pivot freely. Place the lid centrally on top of the assembly with the hinges at the back. Secure each hinge to the back panel using 3 x 30mm screws. Attach two hinges to the door using 3 x 30mm screws. Align the door with the opening, lift the door so that it doesn't catch on the floor when it is opened or closed and secure to the side panel using 3 x 30mm screws per hinge.



### 4. Hook and eye, lock and handle

Position the slide bolt on the door and the catch plate on the side panel frame ensure the bolt is able to slide into the catch plate and secure the two parts using 6 x 40mm screws. Attach the handle using 2 x 25mm bolts through the drilled holes of the lid. On the side of the greenhouse screw in the hook and eye so that it is able to hold the lid in the shut position.



We constantly improve the quality of our products, occasionally the components may differ from the components shown and are only correct at time of printing. We reserve the right to change the specification of our products without prior notice.